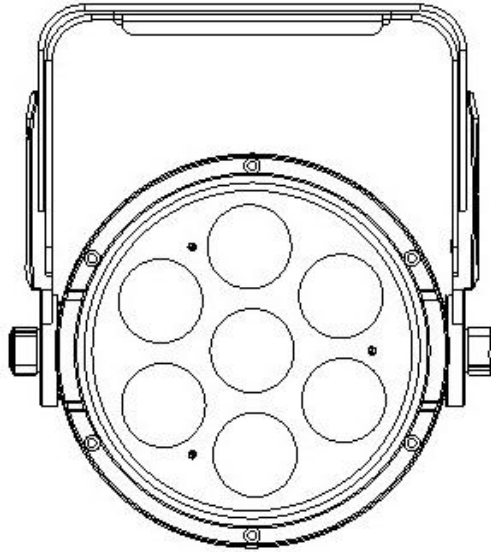


Art Pro

Mini SUN-7

7x15W RGBW LED PAR

Version : 2.0



This product manual contains important information about the safe installation and use of this projector. Please read and follow these instructions carefully and keep this manual in a safe place for future reference.

User manual

Please read the instructions carefully before use

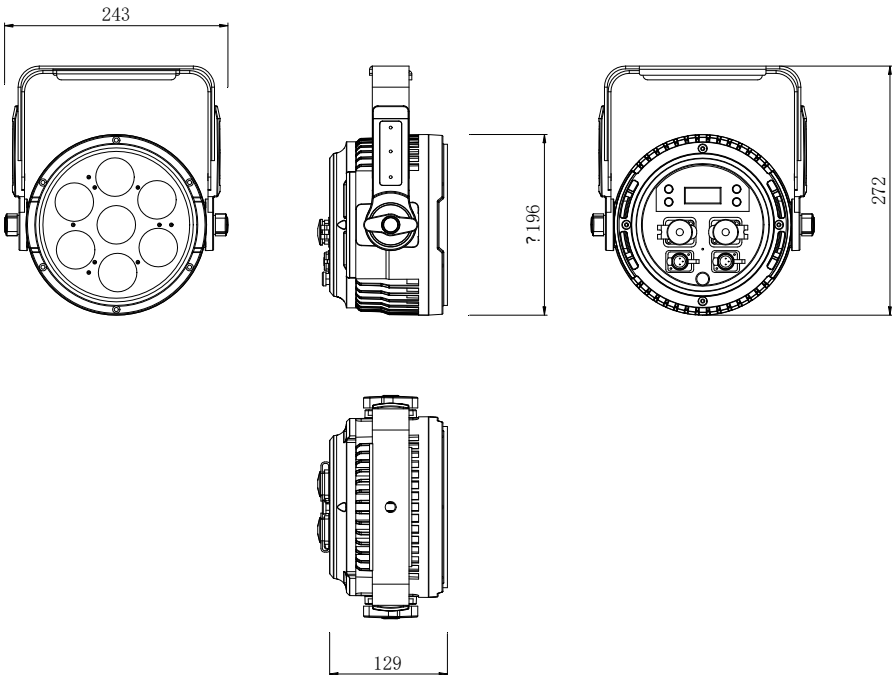
TABLE OF CONTENTS

- 1. Dimension..... 3
- 2. Safety Information..... 4
- 3. Delivery Contents 6
- 4. Preparing for installation..... 5
- 5. Installation..... 7
- 6. Connecting AC Power..... 10
- 7. Connecting to a DMX control device..... 10
- 8. Configuring the fixture for DMX control..... 9
- 9. Cleaning..... 10
- 10. DMX protocols..... 10
- 11. Control menu..... 错误! 未定义书签。
- 12. Specification..... 13

Introduction

Thank you for your purchase and usage of the Art Pro Mini SUN. You have chosen a reliable product with outstanding features. The device is easy to use and is made of high quality components. Every Product is checked before shipping to secure you are able to receive a great product without compromise. This is not a toy. Our ambitious aim is to get you a reliable working tool.

1. Dimension(mm)



2. Safety Information



WARNING! Read the safety precautions in this section before unpacking, installing, powering or operating this product.

This luminaries are multi-environmental fixtures with an IP-rating of 65, intended for professional use only. They are not suitable for household use.

Review the following safety precautions carefully before installing or operating the fixture. This fixture must be installed in accordance with the applicable installation code by a person familiar with the construction and operation of the fixture and the hazards involved.



WARNING! Risk of electric shock.

- Always power off/unplug the fixture before removing any covers.
- Ensure that the power is turned off when connecting the fixture to the AC mains supply.
- Ensure that the fixture is electrically connected to earth (ground).
- Do not apply power if the fixture is in any way damaged.
- Do not immerse the fixture in water or liquid.



WARNING! Take measures to prevent burns and fire.

- Install in a location that prevents accidental contact with the fixture.
- Install only in a well-ventilated space.
- Install at least 0.3 m (12 in.) away from objects to be illuminated.
- Install only in accordance with applicable building codes.
- Ensure a minimum clearance of 0.1 m (4 in.) around the cooling fans.

- Do not paint, cover or modify the fixture.
- Keep all flammable materials away from the fixture.
- Allow the fixture to cool for 15 minutes after operation, before touching it.
- CAUTION: Exterior surface temperature after 5 min. operation = 45 °C (113 °F). Steady state = 60 °C (140 °F).



WARNING! *Take measure to prevent personal injury.*

- Do not look directly at the light source from close range.
- Take precautions to prevent injury due to falls when working at height.
- For permanent installation, ensure that the fixture is securely fastened to a load-bearing surface with suitable corrosion-resistant hardware.
- For temporary installation with clamps, ensure that the quarter-turn fasteners are turned fully and secured with a suitable safety cable. The cable must be approved for a safe working load (SWL) of 10 times the weight of the fixture, and it must have a minimum gauge of 3 mm.

3. Preparing for installation

Unpack the fixture and inspect it to ensure that it has not been damaged during transport.

The fixture is IP65-rated, and is designed for use in wet locations, for example, raining, snowing, BUT DO NOT SINK UNDER WATER!!!

This means that it is protected from:

- Dust, to the degree that dust cannot enter the fixture in sufficient quantities as to interfere with its operation.
- Lower pressure jets of water from any direction.

When selecting a location for the fixture, ensure that:

- It is situated away from public thoroughfares and protected from contact with people.
- It is not immersed in water or exposed to high-pressure water jets.
- It has adequate ventilation.

4. Installation

Your Mini SUN can be installed in every kind of following positions.

Please see the explanations and rely to the instructions for a safe operation and secure handling.

5. Connecting AC Power

The fixture can operate on any 100–240 V, 50/60 Hz AC mains power supply. For permanent installation, have a qualified electrician wire the mains cable directly to a suitable branch circuit.

The junction's ingress protection (IP) rating must be suitable for the location.

For temporary installation, the mains cable may be fitted with a grounded connector intended for exterior use.

When installing standard type C circuit breakers there will be no limitations due to the fixture in-rush current. Due to the nominal current of the fixture, ensure that no more than:

8 fixtures are connected through the same type C, 16A circuit breaker.

The fixture must be grounded/earthed and be able to be isolated from AC power. The AC power supply must incorporate a fuse or circuit breaker for fault protection. After connecting the fixture to power, run the on-board test, using the “Mode→Auto” menu, to ensure that the fixture and each LED are

functioning correctly. See “Control menu” on page 13

Connect the power cord as follows:

L (live wire) = brown wire N (neutral wire) = blue wire G (ground wire) = yellow/green two-color wire

When connecting the power supply, please note that the power supply voltage and frequency must be consistent with the voltage and frequency marked on the lamp nameplate.

CAUTION: Do not open the fixture to replace the supplied power cable, or connect the fixture to an electrical dimmer system, as this can damage it.

Note: Do not open the fixture to replace the included power cord, or connect the fixture to an electrical dimmer system, as this will damage the fixture.

6. Connecting AC Power

The fixture can operate on any 100–240 V, 50/60 Hz AC mains power supply. For permanent installation, have a qualified electrician wire the mains cable directly to a suitable branch circuit.

The junction’s ingress protection (IP) rating must be suitable for the location.

For temporary installation, the mains cable may be fitted with a grounded connector intended for exterior use.

When installing standard type C circuit breakers there will be no limitations due to the fixture in-rush current. Due to the nominal current of the fixture, ensure that no more than:

8 fixtures are connected through the same type C, 16A circuit breaker.

The fixture must be grounded/earthed and be able to be isolated from AC power. The AC power supply must incorporate a fuse or circuit breaker for fault protection. After connecting the fixture to power, run the on-board test, using the “Mode→Auto” menu, to ensure that the fixture and each LED are functioning correctly. See “Control menu” on page 13.

CAUTION: Do not open the fixture to replace the supplied power cable, or connect the fixture to an electrical dimmer system, as this can damage it.

7. Connecting to a DMX control device

The fixture is controllable using a DMX control device and it can be connected using a DMX cable.

If using a cabled DMX system, connect the DMX in cable (with male 3-pin XLR plug) and out cable (with female 3-pin XLR plug) to the DMX data link.

Terminate the DMX out cable of the last fixture in the data link. For outdoor installations, use only IP-rated XLR connectors suitable for outdoor use.

The DMX-512 is widely used in intelligent lighting control, with a DMX-512 controller. connect several lights together, dmx in and dmx out, 3 pin XLR connectors: Pin 1: GND, Pin 2: Negative signal (-), Pin 3: Positive signal (+)

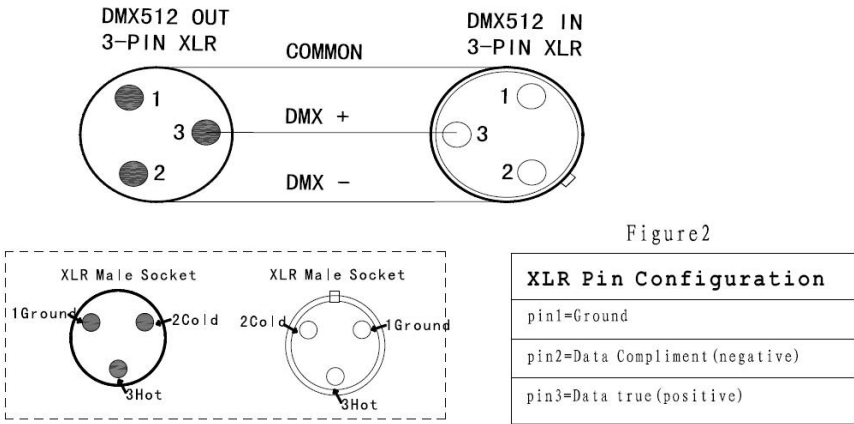


Figure2

8. Configuring the fixture for DMX control

About DMX

The fixture can be controlled using signals sent by a DMX controller on a number of channels (which varies depending on the DMX mode that has been set).

The first channel used to receive data from a DMX control device is known as the DMX start address. Each fixture must have a DMX start address set. For example, if a fixture has a DMX address of 10 and it is in 4-channel DMX mode, then it uses channels 10, 11, 12 and 13. The following fixture in the DMX chain could then be set to a DMX address of 14. If two or more DMX fixtures of the same type have the same DMX address, then they will mimic each other's behaviour. Incorrect settings will result in unpredictable responses to the lighting controller.

Setting the DMX address

The DMX address can be seen on the main screen. To change the address setting, press the up arrow to increase the address, or the down arrow to decrease the setting. When the desired address is displayed, press Enter to save the setting.

Note that channel spacing is determined by the DMX mode.

See the "DMX protocols" on page 12 for specific DMX control values.

Setting the DMX mode

Using the "DMX mode" menu available from the control panel, specify the DMX mode that provides the fixture controls that you require, confirm chosen mode by pressing 'Enter'.

9. Cleaning

To maintain optimal performance, regular cleaning is essential. Cleaning schedules will vary depending on the operating environment, and the installation should therefore be checked at frequent intervals within the first few weeks of operation to see whether cleaning is necessary. This procedure will allow you to assess cleaning requirements in your particular situation. Clean the fixture using a soft cloth dampened with a solution of water and a mild detergent. Do not use products that contain solvents, abrasives or caustic agents for cleaning, as they can cause damage to both hardware, cables and connectors.

10. DMX protocols

4 CHANNEL MODE

CH	FU	NOTE
1	RED	0-255
2	GREEN	0-255
3	BLUE	0-255
4	WHITE	0-255

9 CHANNEL MODE

CH	FU	NOTE
1	RED	0-255

2	GREEN	0-255
3	BLUE	0-255
4	WHITE	0-255
5	DIMMER	0 close 1-255 Dime full
6	STROBE	0-9 close 10-255 slow > fast
7	USER COLOR	001-039 RED 040-099 GREEN 100-159 BLUE 160-255 RED-GREED-BLUE
8	AUTO COLOR	0-9 cclose 10-200 AUTO

11. Control menu



A

B

C

D

Display:

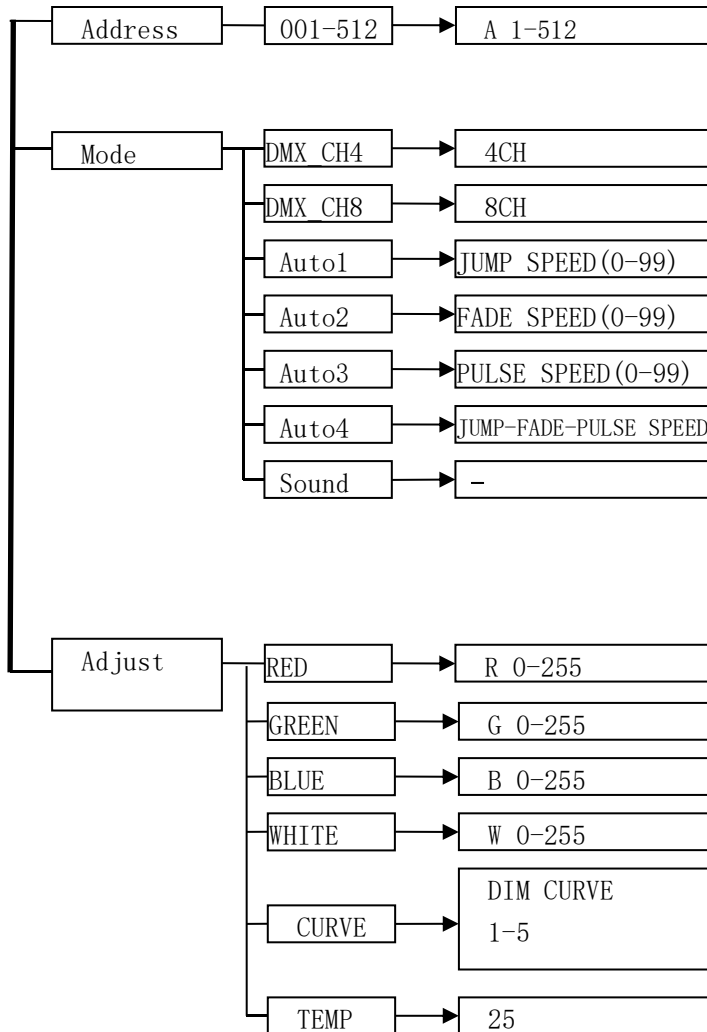
A. **MENU** B. **UP** C. **DOWN** D. **ENTER**

Operations:

Press "**MENU**" to unlock screen, then press "**Menu**" to select 7 different

functions, Press the "**UP** or **DOWN**"keys to increase or decrease the value,Press "**ENTER**" to save and Exit.

1. Select LCD user menu function comparison table



12. Specification

Power supply: 100-240V - 50/60Hz

Power consumption: 120W

LED power: 105W

LED source: 7 x 15W RGBW 4in1

Optic: High efficiency optic system

Effect: RGBW Colormixing

Luminous flux: >3000lm

Field angle: 25° (optional 6°, 8°, 12°, 15°, 45°)

Dimmer mode: 8&16 Bit

Dimmer curve: Linear, curve

DMX mode: 4 /8/ 9CH

Control mode: DMX, Auto, Master-slave

Protocol: DMX, RDM

Light style: Color wash, Color mixing

IP rating: 65

Body: Die-cast aluminum

Free light CON: Yes

Working Condition: -30° ~ 70°C

Power: 3*1.5 PG link

DMX: 3pin DMX link

Power cable: CCC 1.5mm², 12 power link Max

Power and DMX cable type: Customized

Carton: 1 in 1

Fly Case: 8 in 1/10 in 1

Light: L240 x W129 x H270 mm

Carton size: 320x190x270mm

NW: 3.4KG

GW: 4.3KG